



# Electronic Crane Scale



CRANE SCALE

## Table of contents

1. Brief Introduction.....	3
2. Key Technical performance and specifications.....	3
3. Operations Keys.....	3
4. Basic Operations.....	4
5. Battery Charging Method.....	4
6. Precautions.....	5
7. Calibration.....	5
8. Setup functions in sub-menu.....	6
9. Display indicator.....	7
10. Dimensioned drawing of indicator.....	8
11. Options.....	9

## **1. Brief introduction**

The digital crane scale employs both the advanced hardware and sophisticated software. It uses AT-89 series single-chip micro-processor and highly precision A/D converter. The crane scale is equipped with specially designed compensating circuitry. With its strong interference-rejection, it can be widely used in weighing applications in commerce, industrial and mining industries, transportation, etc.

## **2. Key Technical performance and specifications**

Accuracy Class:	GB11883-89 (International R76 equivalent)
Zeroing Range :	100%F.S
Time to stable static weighing :	<10 seconds
Maximum safe load:	150% of maximum weighing capacity
Display:	Super bright 5-digit 30mm red LED display or 5-digit 40mm LCD display with LED back lighting .
Hook:	Convenient 360° swivel hook
Operating Temperature:	-10 °C ~ +45°C with 30~90% relative humidity
LOB Indicator:	When the power is low, the indicator will be on
Auto-OFF:	When the crane scale is inactive for 30 minutes or the power is severely low, it will power off automatically.
Power Supply:	6V/10AH rechargeable battery.
Battery Charger:	6V/2Ah battery charger, protection circuit for charging in order to extend the battery life.
Scale Housing :	Rugged construction with cast aluminum housing for RFI protection

The digital crane scale includes many functions such as ON/OFF, Hold, division selection and Zero.

<b>Weigh Capacity (kg)</b>	<b>Mini. Weight (kg)</b>	<b>Measured division (kg)</b>	<b>Selectable division (kg)</b>
600kg	0.2kg	1/3000	0.1kg
1000kg	0.5kg	1/2000	0.2kg
2000kg	1kg	1/2000	0.5kg
3000kg	1kg	1/3000	0.5kg
5000kg	2kg	1/2500	1kg
10000kg	5kg	1/2000	2kg
15000kg	5kg	1/3000	2kg

## **3. Operational Keys**

<b>Keys</b>	<b>Functions</b>
[ON/OFF]	power on and off the scale.
[SWITCH]	Press this key to choose the minimum weighing unit.
[HOLD]	Press this key to keep the weight display temporarily and the HOLD indicator will be On. Press the key again to turn off temporary display function.
[ ZERO ]	When this key is pressed, it will zero the current display under weighing mode.

#### **4. Basic Operations**

**a. Power On the scale :**

Turn the power switch [ON/OFF] of the crane scale to “ON” turn on the scale. After the weight value is displayed, the crane scale checks itself. When the value is zero (0.0 kg), the scale is ready to weigh (It is better to use the crane scale 3 to 5 minutes after it is powered on).

**b. Zero:**

After powered on, the crane scale usually displays “0”kg. If doesn’t display “0”kg, press [ZERO] to zero.

**c. Weighing :**

Lift the goods from the ground, the crane scale will display the weighing value. After the STAB indicator is lit on, the static weight can be recorded. If the goods with tare such as hoisting cable, the tare should be loaded and weighed first. Press [ZERO], the display should be “0”kg. And then load the goods, the scale will display only the net weight value of the goods as long as the tare remains the same. The scale will keep the same tare weight until the tare is changed or the scale is powered off.

**d. OFF:**

The scale should be powered off after weighing to avoid the battery drain.

**e. Division Selection :**

Press [ SWITCH ] to change the division under weighing mode with “kg” displayed.

**f. Back Light:**

Press [ ZERO ] last about 3 seconds to turn on the backlighting. Press it again will turn the backlight off

#### **5. Battery Charging Method**

This product uses maintenance-free Ni-H battery (6V/10AH). When the power is low, it will display the following signals:

- a) The LOB indicator light comes ON. The battery needs to be charged now. The scale, however, can continue to operate for about 10 hours without charging.

- b) After the LOB indicator is ON for several hours without charging or there is no more power in the battery, the crane scale will be powered off automatically. It will take about 6 hours to fully charge the battery.
- c) After battery charging, if there is no display, it indicates that either there is difficulty in battery charging or a damaged battery. Please contact supplier for repair or replacement.

When the power is charged fully, it can operate over 100 hours. To prolong the battery life, please recharge the battery promptly using for every 48 hours(within one week) of usage. When charging the battery, please use the original charger supplied with the scale to prevent the battery from unnecessary damages. In addition, turn off the power to shorten the recharging time. In recharging the battery, the recharging light will be red. When the light is green, it indicates the battery is charged fully.

## **6. Precautions**

- 1. The crane scale is equipped with DC6V/2Ah battery charge.
- 2. Do not overload the scale to prevent the damage to the force transducer inside the scale.
- 3. Please check the scale frequently to ensure the safe usage. The basic checking items are:
  - a. Whether the screw has become loose, whether the connecting part between the hook and the ring can swivel.
  - b. Whether the hook or shackle is cracked or become distorted
  - c. If the mechanical components show sign of metal fatigue or defects
  - d. Whether the pin is off or the components are lost.If there is any sign of the afore-mentioned conditions, please send the components back to the manufacturer for repair or exchange before using the scale again.
- 5. Don't touch the displaying screen directly or clear it with organic based solvent.
- 6. Please do not use it in the rain or under severely polluted environment.

## **7. Calibration**

(This procedure will require standard weight)

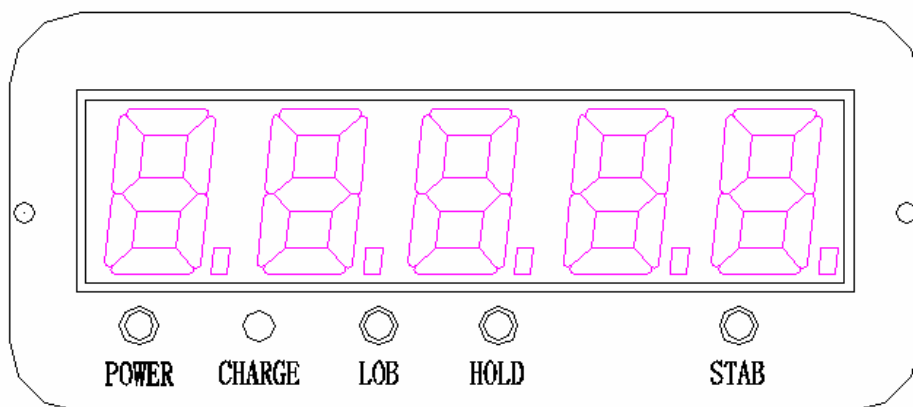
<b>Step</b>	<b>Operation</b>	<b>Display</b>	<b>Remarks</b>
1.	Hold [ZERO] to power on	SPEN	The scale is in calibrating mode without load .
2.	press[ZERO]	SET 00000	It displays “00000” when stable
3.	Press[HOLD] to add 1 to single-digit, press[SWITCH] to move left	3000.0	Load, it's better that the weight value displayed is the standard weight.
4.	press[ZERO]	HOLD	When the signal is stable, press [ZERO], the result is saved

## 8. Setup Functions in Sub-Menu

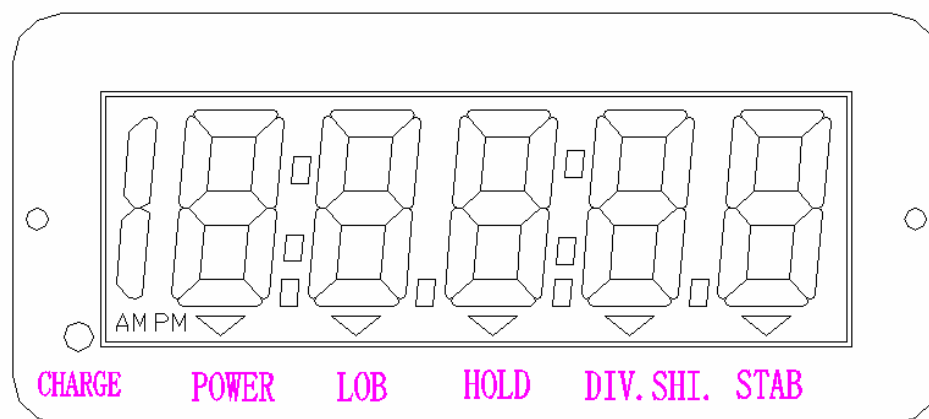
Operation	display	Remarks
Press [SWITCH] when the scale checks itself “9~0”。	bEE 1	Setting of beeper 0—invalid 1—valid Press [HOLD] or [SWITCH] to select between 0 and 1.
Press [ZERO]	Hold 1	Effective setting of HOLD function 0—invalid 1—valid Press [HOLD] or [SWITCH] to select between 0 and 1.
Press [ZERO]	Std 0	Setting of ZERO function 0—“Zeroing” allowed when unstable 1—“Zeroing” not allowed when unstable Press[HOLD] or [Switch] to select the function
Press [ZERO]	Aut 1	Manual/Auto backlighting setup 0—Manual 1—to Auto Select by pressing [HOLD] or [Switch]
Press [ZERO]	CHt 0	Unit Setting 0—Kg 1—lb Select by pressing [HOLD] or [Switch]
Press [ZERO]	YES 1	Save or not 0—not save 1—save Select by pressing [HOLD] or [Switch]
Press [ZERO]		Restart

## 9. Display indicator

### LED display



### LCD display



**POWER:** When power on the scale , the indicator will light on.

**CHARGER:** The indicator is on when the scale is being charged.

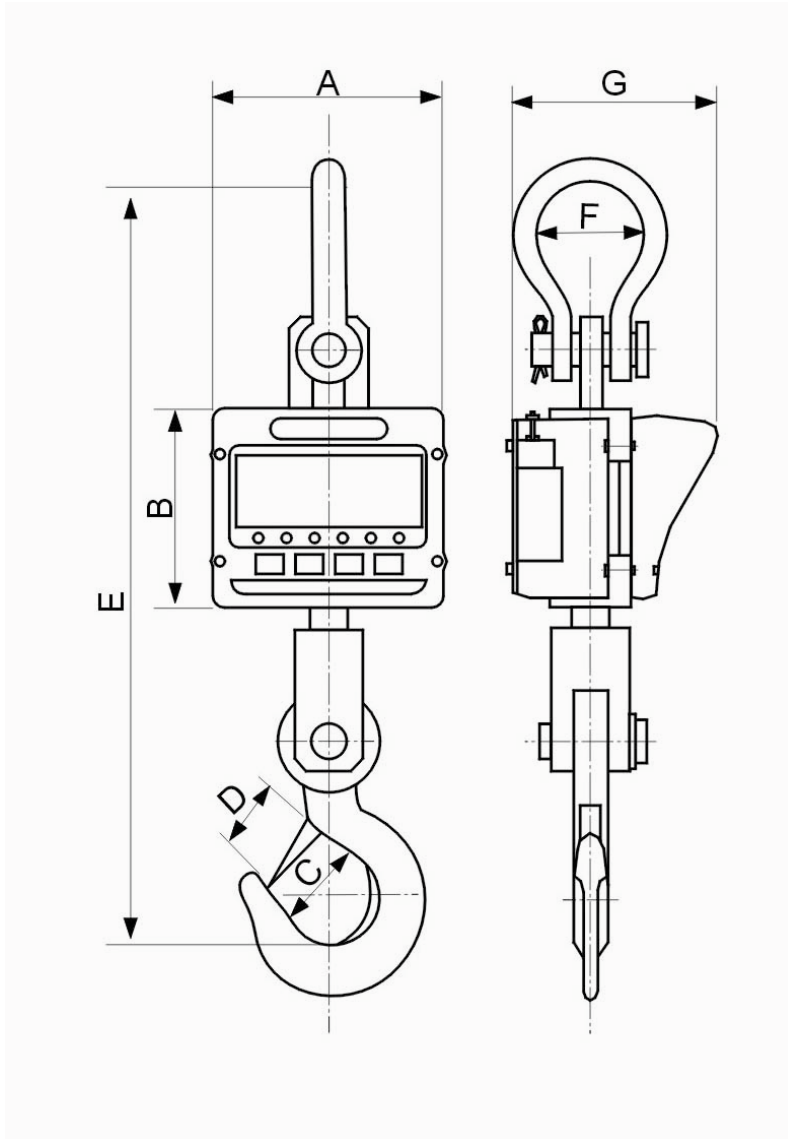
**LOB:** When the voltage is lower than certain value, the LOB indicator will light on. And it should be recharged promptly.

**HOLD:** The HOLD indicator will be On. When press the HOLD key to keep the weight display temporarily.

**DIV.SHI:** The scale is in the condition of division selection when the light is on.( in unit of kg)

**STAB:** The indicator is on when the static weighing is stabilized. And the users can read the stable static weight.

**10. Dimensioned drawing of indicator**  
unit:mm



TYPE	A	B	C	D	E	F	G
OCS-XZ-06	260	195	50	40	620	73	200
OCS-XZ-1	260	195	50	40	620	73	200
OCS-XZ-2	260	195	60	50	650	73	200
OCS-XZ-3	260	195	60	50	650	73	200
OCS-XZ-5	260	195	60	42	730	80	210
OCS-XZ-10	260	205	70	52	830	92	220
OCS-XZ-15	260	215	80	60	960	135	230



**11. Options.**

- A: Switch the divisions.
- B: Hold the settled values
- C: Zero the scale
- D: Back light activated and deactivated ( only used B type )

